

新冠抗原检测试剂产品手册
**Product Manual of
COVID-19 Antigen Detection Kit**

诺迦（杭州）生物工程有限公司
New Gene (Hangzhou) Bioengineering Co., Ltd.

COMPANY PROFILE

New Gene (Hangzhou) Bioengineering Co., Ltd. is located in Hangzhou, China. It is a high-tech company engaged in the research, development, manufacture and distribution of biological products. It is committed to creating biological materials such as antigens and antibodies, in vitro diagnostic reagents and related devices, and also the complete industrial chain of artificial intelligence assisted diagnosis system. The product line covers a full range of in vitro diagnostic products such as immune diagnosis, molecular diagnosis, and microbiological testing. NEWGENE has profound technical accumulation and unique technological advantages in the areas of early cancer screening, rapid detection of infectious diseases, and rapid screening of geriatric diseases.

NEWGENE's manufacturing system meets GMP standards for medical devices, and is certified with ISO13485 by British BSI. Relevant in vitro diagnostic reagent products have obtained the EU CE certification. NEWGENE is also a member on the "allow list" issued by Chinese Ministry of Commerce for anti-epidemic products exporting.

At present, NEWGENE COVID-19 Antigen Detection Kit has **registered in** many countries, including *Germany, France, Italy, Switzerland, Belgium, Austria, Spain, Portugal, Czech, Denmark, Hungary, Greece, Romania, Poland, Sweden, Norway, Moldova, Peru, Argentina, Ecuador, Malaysia, Thailand, Brunei, Congo, Kenya, Zimbabwe, South Africa etc.*, and passed the clinical verification of multiple national laboratories. The products are suitable for children under 14 years old.





Self-test Approval of EU

CERTIFICATE

EC Certificate No. 1434-IVDD-476/2021

EC Design-examination
Directive 98/79/EC concerning
in vitro diagnostic medical devices

Polish Centre for Testing and Certification certifies
that manufactured by:

New Gene (Hangzhou) Bioengineering Co., Ltd.
Room 1606, Floor 16, Building 5, 688 Bin'an Road, Changhe Street,
Binjiang District, Hangzhou City, Zhejiang Province,
P. R. China

in vitro diagnostic medical devices
for self-testing

The list of medical devices covered by this certificate is provided in the annex I

in terms of design documentation, comply with requirements
of Annex III (Section 6) to Directive 98/79/EC (as amended)
implemented into Polish law,
as evidenced by the audit conducted by the PCBC

Validity of the Certificate: from 01.12.2021 to 27.05.2024

The date of issue of the Certificate: 01.12.2021

The date of the first issue of the Certificate: 11.08.2021



Issued under the Contract No. MD-116/2021
Application No: 381/2021
Certificate bears the qualified signature.
Warsaw, 01.12.2021
Module A1

Anna
Małgorzata
Wyroba
Vice-President

Elektronicznie
podpisany przez Anna
Małgorzata Wyroba
Data: 2021.12.01
17:43:33 +01'00'

CE 1434

DECLARATION OF CONFORMITY

Regarding In Vitro Diagnostic Directive (98/79/EC)

Manufacturer: New Gene (Hangzhou) Bioengineering Co., Ltd.
Address: Room 1606, Floor 16, Building 5, 688 Bin'an Road, Changhe Street,
Binjiang District, Hangzhou City, Zhejiang Province, P. R. China

EC Representative: SUNGO Europe B.V.
Address: Olympisch Stadion 24, 1076DE Amsterdam, Netherlands
EC Certificate No.: 1434-IVDD-476/2021

Product Name: COVID-19 Antigen Detection Kit – Nasal Swab
Specification: 1Test/Box, 5Tests/Box, 25Tests/Box
Classification: Self Test (IVDD)
Conformity Assessment Procedure: Annex III (Section 6) to Directive 98/79/EC

We herewith declare that the above-mentioned products meet the requirements of In Vitro Diagnostic Directive (98/79/EC) and the following harmonized standards.

EN 23640:2015	EN 13640:2002
EN 13612:2002	EN 13641:2002
EN ISO 14971:2019	EN ISO 18113-1:2011

Signature: 
Name/ Position: Mingfu Li / General Manager
Date: 01/12/2021
Place: Hangzhou, Zhejiang, China





By Royal Charter

Certificate of Registration

QUALITY MANAGEMENT SYSTEM - ISO 13485:2016

This is to certify that: New Gene (Hangzhou) Bioengineering Co., Ltd.
Room 1606, 16th Floor, No.5 Building
688 Bin'an Road
Binjiang District
Hangzhou
Zhejiang
310052
China

诺迦（杭州）生物工程有限公司
中国
浙江省
杭州市
滨江区
长河街道滨安路688号
5幢16层1606室
邮编：310052

Holds Certificate No: **MD 729179**

and operates a Quality Management System which complies with the requirements of ISO 13485:2016 for the following scope:

Design and Development, Manufacture and Distribution of In-vitro Diagnostic Rapid Test Kit of Drug Abuse, Manufacture and Distribution of In-vitro Diagnostic Rapid Test Kit of Infectious Diseases.

药物滥用体外诊断快速检测试剂盒的设计，开发，制造和销售，传染病体外诊断快速检测试剂盒的制造和销售。

For and on behalf of BSI:

Gary E Slack, Senior Vice President - Medical Devices

Original Registration Date: 2020-07-27

Latest Revision Date: 2020-07-27

Effective Date: 2020-07-27

Expiry Date: 2023-07-26



Page: 1 of 1

...making excellence a habit.™

Self-Testing

CE 1434

COVID-19 Antigen Detection Kit - Nasal Swab

No.	Components	25 Tests/Box	5 Tests/Box	1 Test/Box
1	Test Card	25	5	1
2	Sample Extraction Tube & Tube Cap	25	5	1
3	Sampling Swab: for Nasal Swab	25	5	1
4	Package Insert	1	5	1

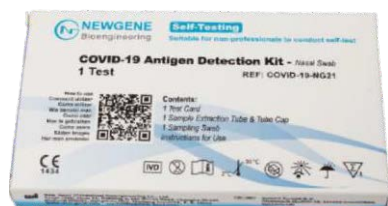
25 Tests/Box



5 Tests/Box



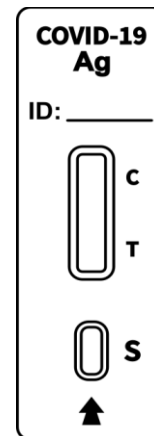
1 Test/Box



COMPONENTS



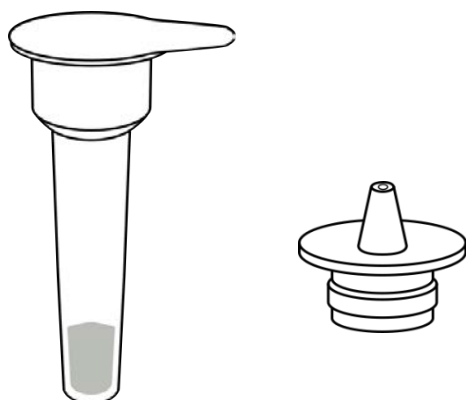
Aluminum Foil Pouch



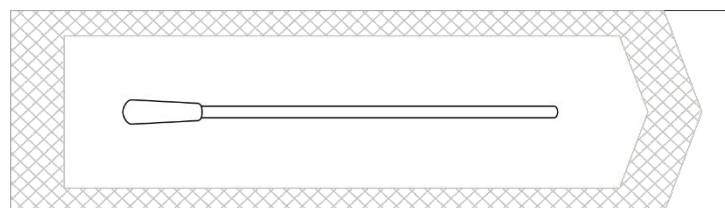
Test Card
(Packed in the pouch)



Desiccant
(Discard it.
Do not open)



**Sample Extraction Tube &
Tube Cap**



Sampling Swab



Instructions for Use
COVID-19 Antigen Detection Kit
EN

For self-test use / Suitable for non-professionals to conduct self-test.

PRECAUTIONS BEFORE USING THE PRODUCT

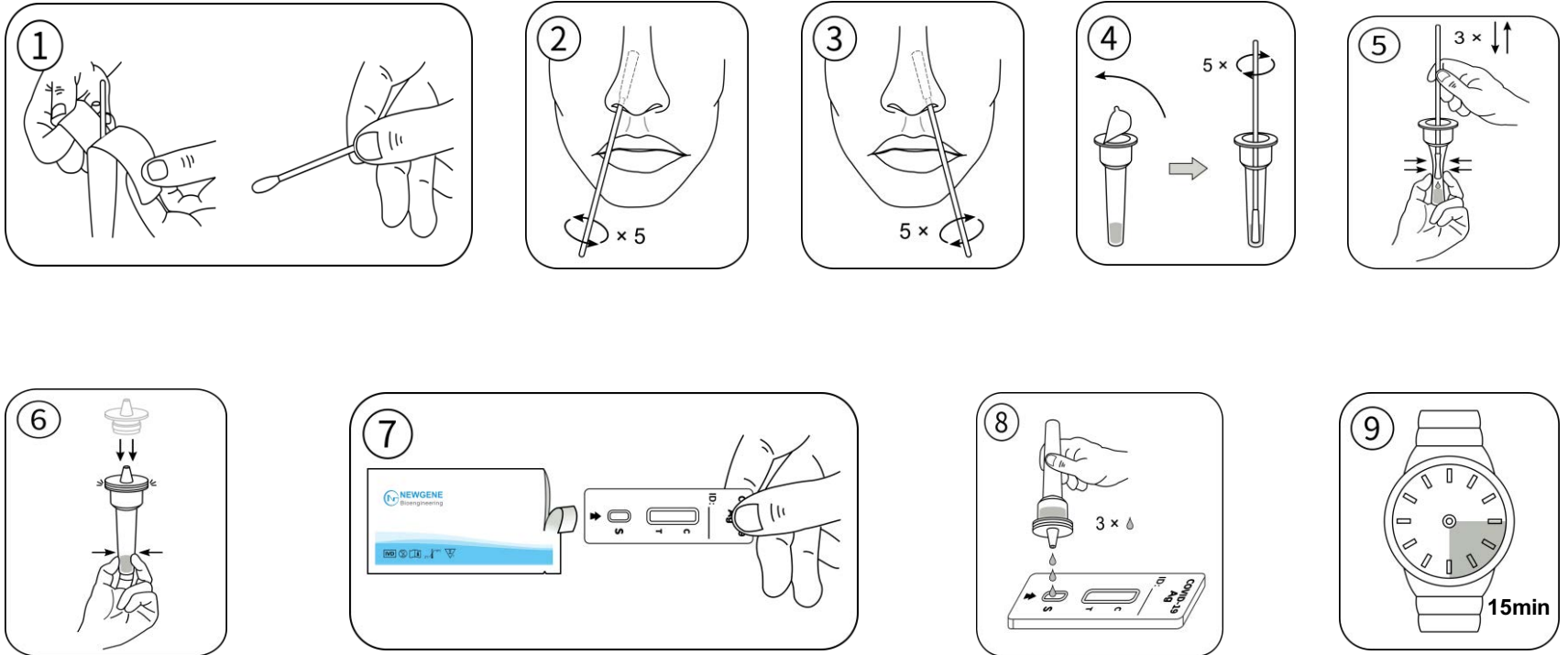
1. Read the instructions carefully prior to first use.
2. For people who are not able to perform the test themselves, the test should be conducted by the legal guardians.
3. For children under the age of 15, the self-test should be conducted under adult supervision.
4. This test detects SARS-CoV-2 antigen in nasal cavity secretions, which is collected by a sterile nasal swab.
5. For people who has recent nasal trauma or surgery, or has severe coagulopathy, gentle operation is required for nasal swab collection to avoid injuries to the nose.
6. Please use the components provided in the kit for testing. Do not use components from other sources.
7. Please use this product in a place with sufficient light, so as to interpret the results accurately.

PRECAUTIONS AFTER USING THE PRODUCT

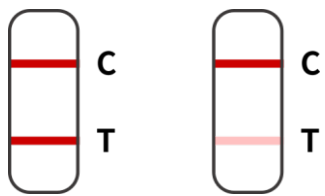
1. If you get a positive result, please contact your family doctor, or seek help from a professional medical facility as soon as possible. You need a nucleic acid test to confirm viral infection.
2. A negative result cannot completely exclude the possibility of viral infection. Incorrect sampling or low viral load may also cause a false negative result.

**Instructions
for Use**

TEST PROCEDURES



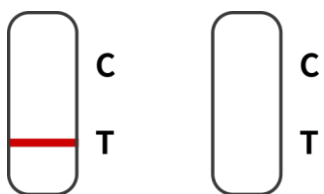
INTERPRETATION OF RESULTS



Positive (+): Red bands appear at both of T and C line in 15 to 30 minutes.
A white band at the T line should be considered as a negative result.



Negative (-): A red band appears at C line while no red band appears at T line in 15 to 30 minutes after sample loading.



Invalid: If no red band appears at C line, it indicates that the test result is invalid.
Retest with another test card.



CIBG
Ministerie van Volksgezondheid,
Welzijn en Sport

> Retouradres Postbus 16114 2500 BC Den Haag

SUNGO Europe B.V.
T.a.v. de heer R. Luo
Olympisch Stadion 24
1076 DE Amsterdam

Datum: 1 oktober 2020
Betreft: aanmelding In-vitro diagnostica

Geachte heer Luo,

Op 30 september 2020 ontving ik uw notificatie krachtens artikel 4, eerste lid van het Nederlandse Besluit in-vitro diagnostica (BIVD) om onder de bedrijfsnaam New Gene (Hangzhou) Bioengineering Co., Ltd. met Europees gemachtigde SUNGO Europe B.V. onderstaande producten als in-vitro diagnostica op de Europese markt te brengen.

De producten staan geregistreerd als in-vitro diagnostica onder nummer:

COVID-19 / Influenza A / Influenza B Detection Kit
(geen merknaam) (NL-CA002-2020-53701)
COVID-19 Antibody / Antigen Detection Kit
(geen merknaam) (NL-CA002-2020-53700)
COVID-19 Antigen Detection Kit
(geen merknaam) (NL-CA002-2020-53699)
COVID-19 Neutralizing Antibody Detection Kit
(geen merknaam) (NL-CA002-2020-53702)
Novel Coronavirus Ribonucleic Acid Detection Kit
(geen merknaam) (NL-CA002-2020-53698)

Hiermee heeft u voldaan aan uw verplichting op grond van artikel 4, BIVD.

In alle verdere correspondentie betreffende bovenvermelde producten verzoek ik u deze nummers te vermelden. Aan deze nummers kunnen geen verdere rechten ontleend worden, ze dienen alleen om de notificatie administratief te vergemakkelijken.

De registratie van in-vitro diagnostica als medisch hulpmiddel op grond van de Classificatiecriteria (Bijlage II) bij Richtlijn 98/79/EG betreffende medische hulpmiddelen voor in-vitro diagnostiek is onderhevig aan mogelijke revisies van Europese regelgeving inzake de classificatie van medische hulpmiddelen en aan voortschrijdend wetenschappelijk inzicht (zie artikel 10, eerste lid van Richtlijn 98/79/EG).

Farmatec

Bezoekadres:
Hoftoren
Rijnstraat 50
2515 XP Den Haag
T 070 340 6161

<http://hulpmiddelen.farmatec.nl>

Inlichtingen bij:

M. Schmitz - Konte

medische_hulpmiddelen@
minvws.nl

Ons kenmerk:

CIBG-20204772

Bijlagen

-

Uw aanvraag

30 september 2020

*Correspondentie uitsluitend
richten aan het retouradres met
vermelding van de datum en
het kenmerk van deze brief.*

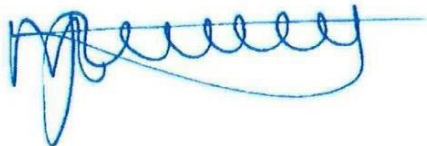
Notificatie van in-vitro diagnostische medische hulpmiddelen impliceert dat de fabrikant, New Gene (Hangzhou) Bioengineering Co., Ltd. de CE-conformiteitsmarkering heeft aangebracht op de desbetreffende producten alvorens deze in een EU-lidstaat in de handel te brengen. Zodoende garandeert SUNGO Europe B.V. dat de in-vitro diagnostica voldoen aan de essentiële eisen zoals opgenomen in bijlage I bij Richtlijn 98/79/EG (en in het daarmee corresponderende onderdeel 1 bij het besluit)

Volledigheidshalve wijzen wij u erop dat een in-vitro diagnosticum moet voldoen aan de eisen uit het BIVD. Het BIVD is gebaseerd op Richtlijn voor in-vitro diagnostiek, 98/79/EG. Met name wijzen wij u op de Nederlandse-taaleis zoals deze in Nederland geldt, de eisen voor het ter beschikking houden van de technische documentatie en de plicht tot het hebben van een Post Marketing Surveillance- en vigilantiesysteem.

Tot slot merk ik op dat met uw notificatie - de administratieve notificatie als fabrikant - en deze brief geen sprake is van een oordeel over de status of kwalificatie van uw product: notificering betekent niet dat daadwerkelijk sprake is van een in-vitro diagnosticum in de zin van de onderhavige wet- en regelgeving. In voorkomende gevallen kan de Inspectie Gezondheidszorg en Jeugd (IGJ), belast met het toezicht op de naleving van het bij of krachtens de wet bepaalde, een standpunt innemen over de status van een product, waarbij het volgens vaste jurisprudentie uiteindelijk aan de nationale rechter is om te bepalen of een product onder de definitie van in-vitro diagnosticum valt.

De Minister voor Medische Zorg en Sport,
namens deze,

Afdelingshoofd
Farmatec



Dr. M.J. van de Velde



DECLARATION OF CONFORMITY

Regarding In Vitro Diagnostic Directive (98/79/EC)

Manufacturer: New Gene (Hangzhou) Bioengineering Co., Ltd.

Address: Room 1606, Floor 16, Building 5, 688 Bin'an Road, Changhe Street, Binjiang District, Hangzhou City, Zhejiang Province, P. R. China

EC Representative: SUNGO Europe B.V.

Address: Olympisch Stadion 24, 1076DE Amsterdam, Netherlands

Product Name: COVID-19 Antigen Detection Kit

Product Code: COVID-19-NG08

Specification: 25Tests/Box 1Test/Box

Classification: Others (IVDD)

Conformity Assessment

Procedure: Annex III of In Vitro Diagnostic Directive (98/79/EC)

We herewith declare that the above-mentioned products meet the requirements of In Vitro Diagnostic Directive (98/79/EC) and the following harmonized standards.

EN 23640:2015 EN 13640:2002

EN 980:2016 EN 13641:2002

EN ISO 14971:2019 EN ISO 18113-1:2011

EN 13612:2002 EN ISO 18113-4:2011

On behalf of SUNGO Europe office, I confirmed we are EU REP of the company who issue this document.

Signature:

Mingfu Li

Name/ Position: Mingfu Li / General Manager

Date: 29/09/2020

Place: Hangzhou, Zhejiang, China



[Signature]

Authorized Signature (S)



COVID-19 Antigen Detection Kit (Nasal Swab)

For Professional Use

No.	Components	25 Tests/Box	5 Tests/Box	1 Test/Box
1	Test Card	25	5	1
2	Sample Extraction Tube & Tube Cap	25	5	1
3	Sampling Swab: for Nasal Swab	25	5	1
4	Package Insert	1	5	1

25 Tests/Box



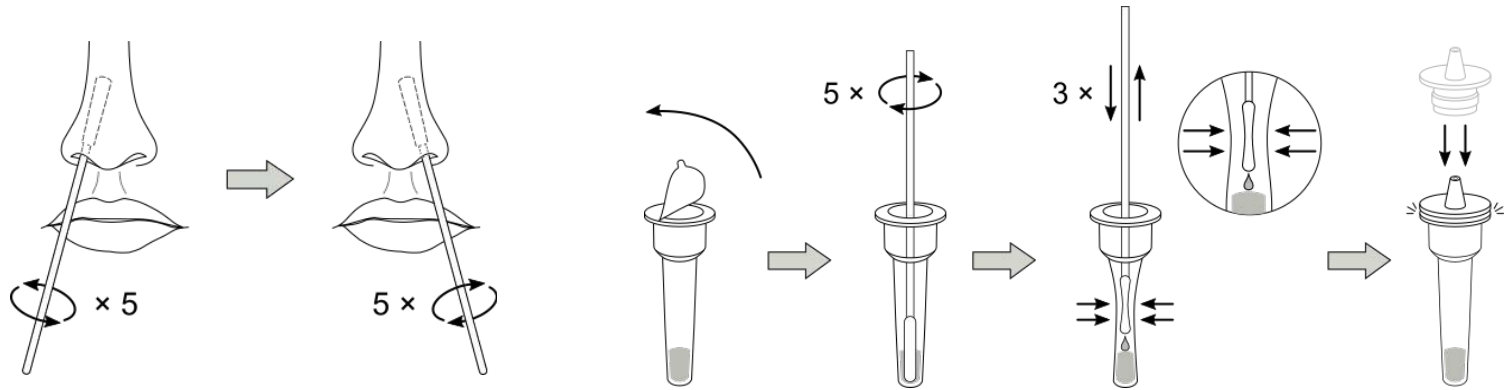
5 Tests/Box



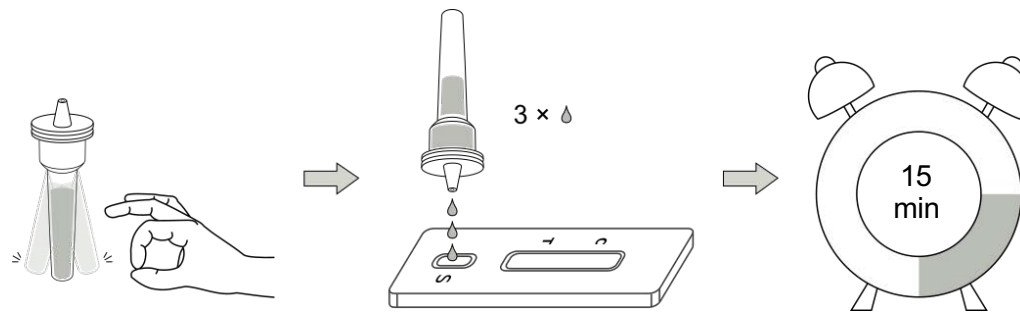
1 Test/Box



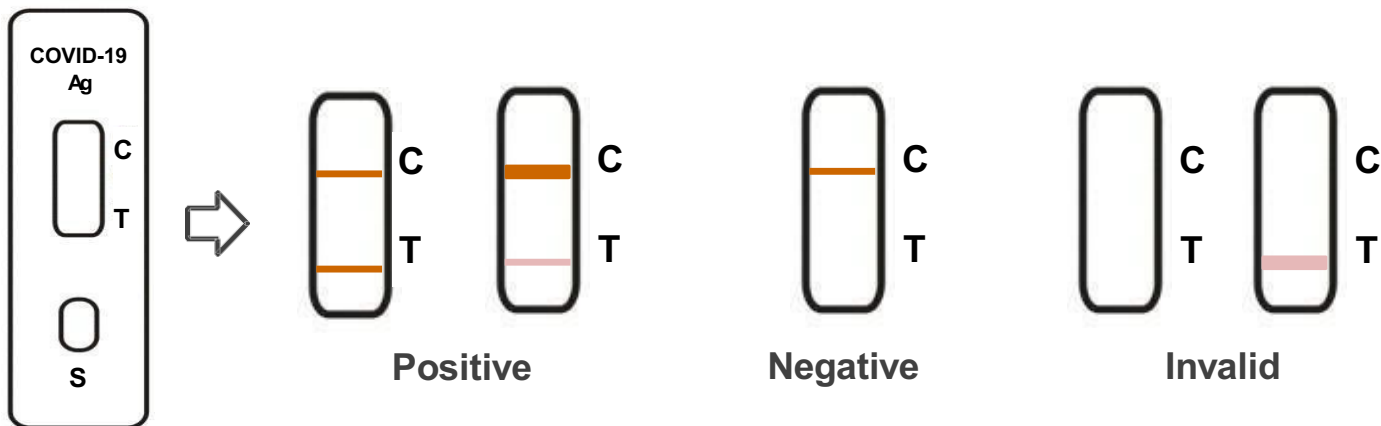
Test Procedures: Sampling



Test Procedures: Detection



Interpretation of Results



Positive(+): Red bands appear at both of T and C line in 15 to 30 minutes. A white band at the T line should be considered as a negative result.

Negative(-): A red band appears at C line while no red band appears at T line in 15 to 30 minutes after sample loading.

Invalid: As long as no red band appears at C line, it indicates that the test result is invalid, and should retest the sample with another test card.

Performance

Sensitivity	Specificity
97.1%	99.2%

COVID-19 Antigen Detection Kit (Nasopharyngeal Swab)

For Professional Use

No.	Components	25 Tests/Box	5 Tests/Box	1 Test/Box
1	Test Card	25	5	1
2	Sample Extraction Tube & Tube Cap	25	5	1
3	Sampling Swab: for Nasopharyngeal Swab	25	5	1
4	Package Insert	1	5	1

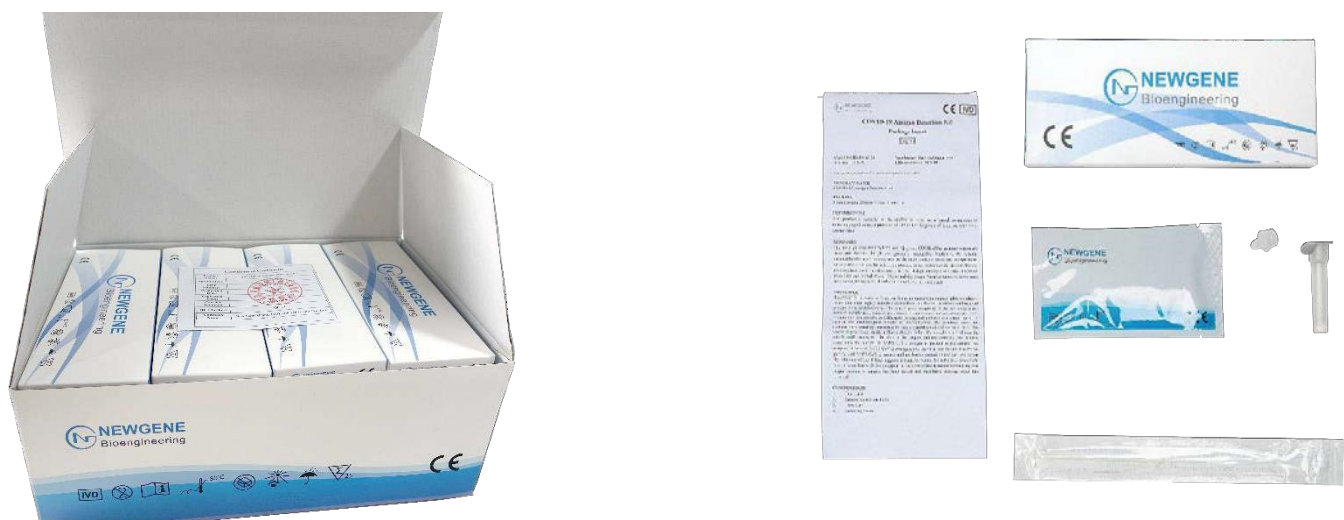
25 Tests/Box



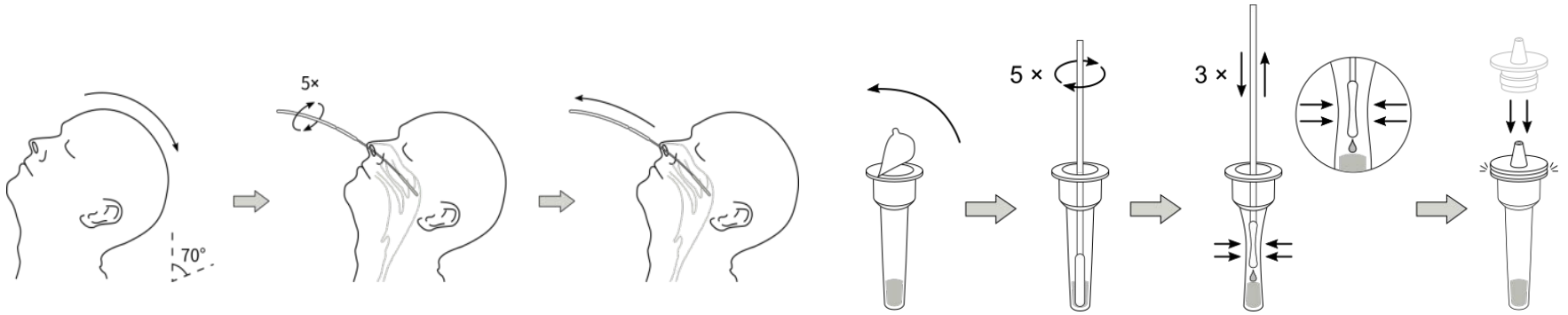
5 Tests/Box



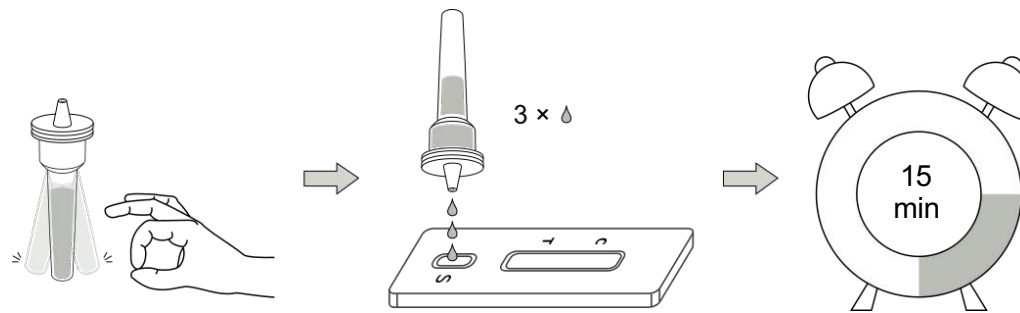
1 Test/Box



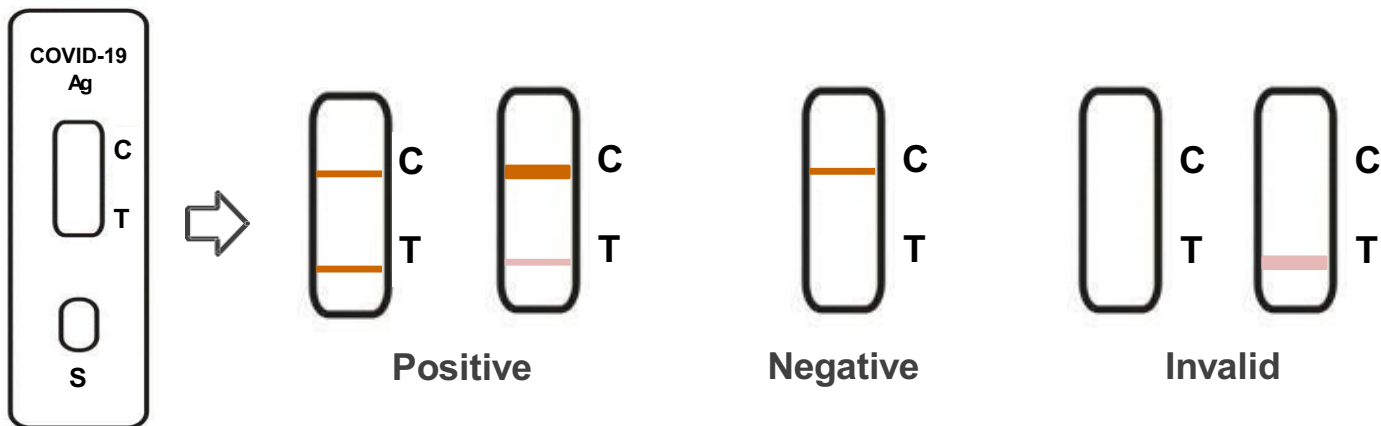
Test Procedures: Sampling



Test Procedures: Detection



Interpretation of Results



Positive(+): Red bands appear at both of T and C line in 15 to 30 minutes. A white band at the T line should be considered as a negative result.

Negative(-): A red band appears at C line while no red band appears at T line in 15 to 30 minutes after sample loading.

Invalid: As long as no red band appears at C line, it indicates that the test result is invalid, and should retest the sample with another test card.

Performance

Sensitivity	Specificity
98.0%	99.1%

COVID-19 Antigen Detection Kit (Oropharyngeal Swab)

For Professional Use

No.	Components	25 Tests/Box	5 Tests/Box	1 Test/Box
1	Test Card	25	5	1
2	Sample Extraction Tube & Tube Cap	25	5	1
3	Sampling Swab: for Oropharyngeal Swab	25	5	1
4	Package Insert	1	5	1

25 Tests/Box



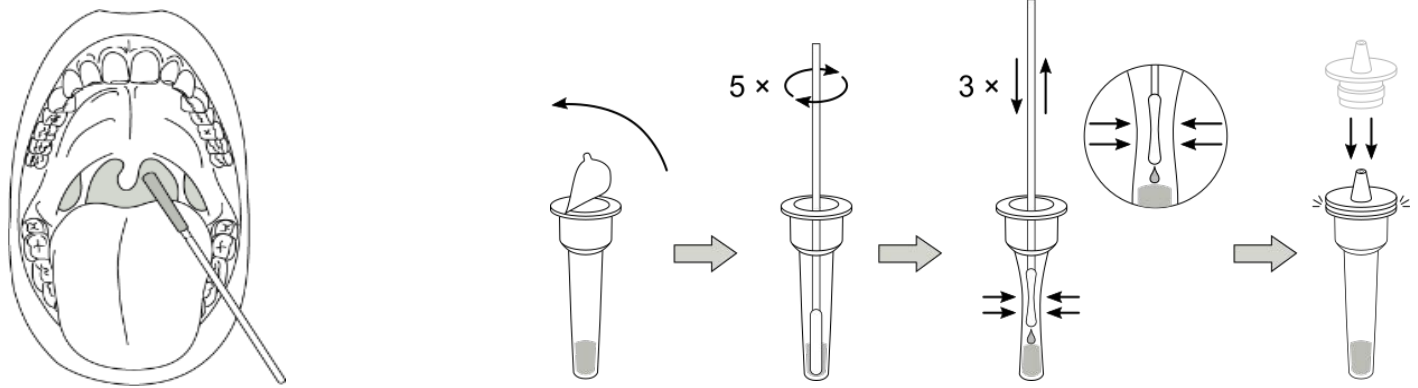
5 Tests/Box



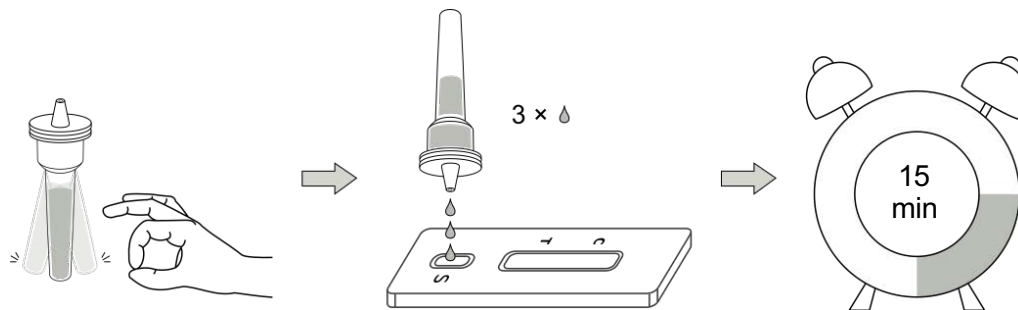
1 Test/Box



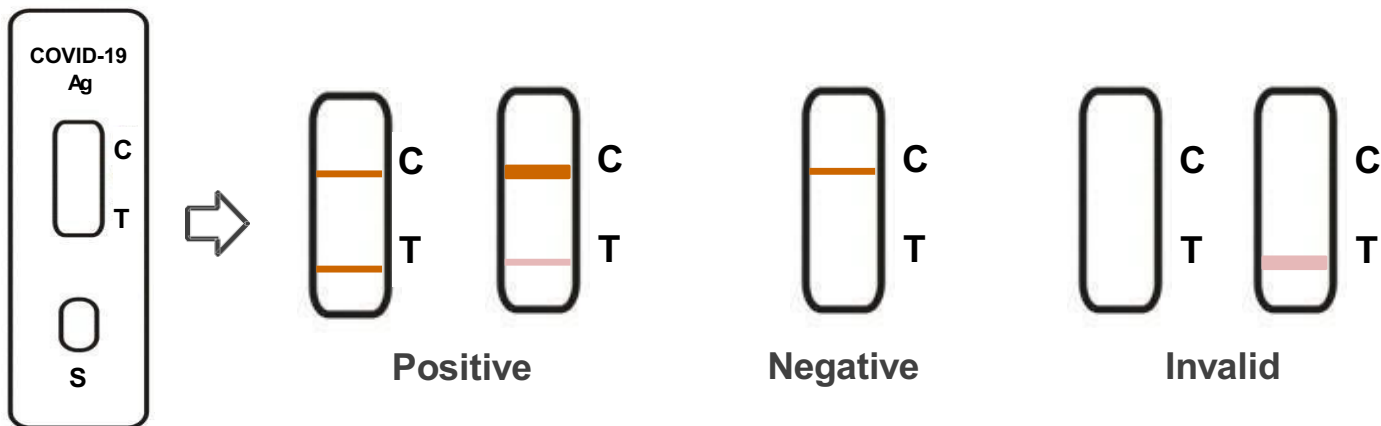
Test Procedures: Sampling



Test Procedures: Detection



Interpretation of Results



Positive(+): Red bands appear at both of T and C line in 15 to 30 minutes. A white band at the T line should be considered as a negative result.

Negative(-): A red band appears at C line while no red band appears at T line in 15 to 30 minutes after sample loading.

Invalid: As long as no red band appears at C line, it indicates that the test result is invalid, and should retest the sample with another test card.

Performance

Sensitivity	Specificity
95.7%	99.0%

COVID-19 Antigen Detection Kit (Saliva)

For Professional Use

No.	Components	25 Tests/Box	5 Tests/Box	1 Test/Box
1	Test Card	25	5	1
2	Sample Extraction Tube & Tube Cap	25	5	1
3	Paper Cup	25	5	1
4	Sputum Dropper	25	5	1
5	Package Insert	1	5	1

25 Tests/Box



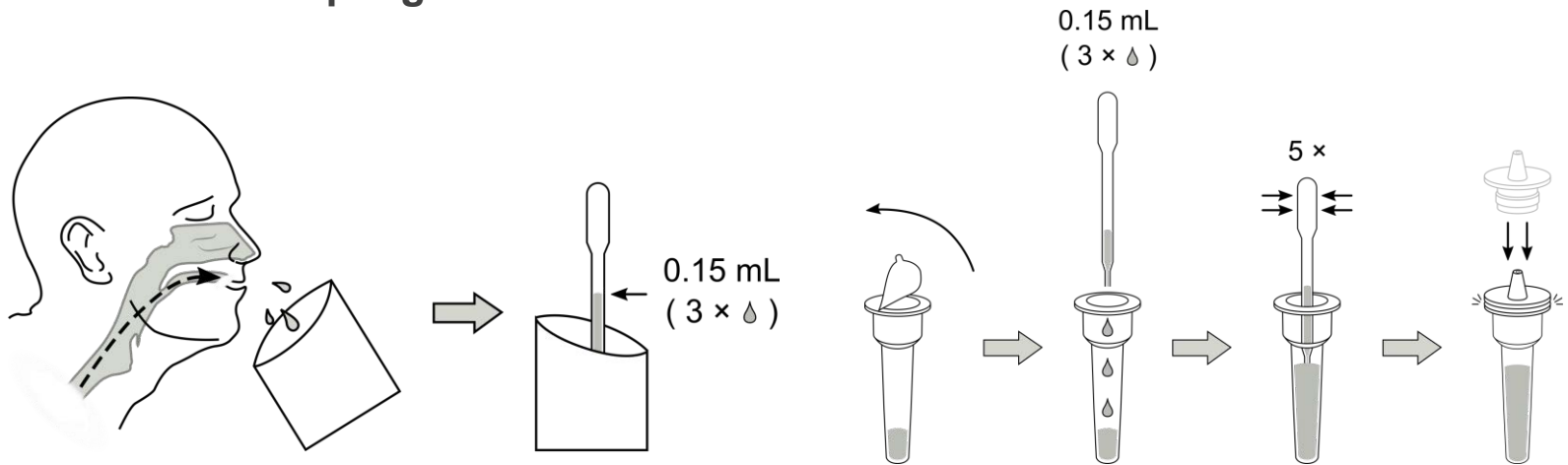
5 Tests/Box



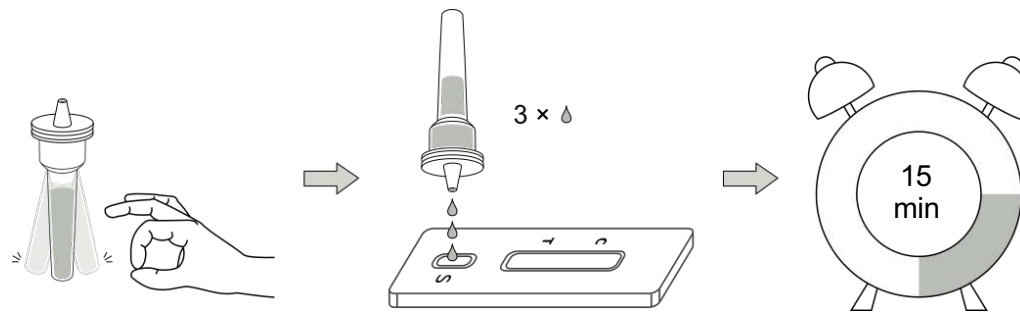
1 Test/Box



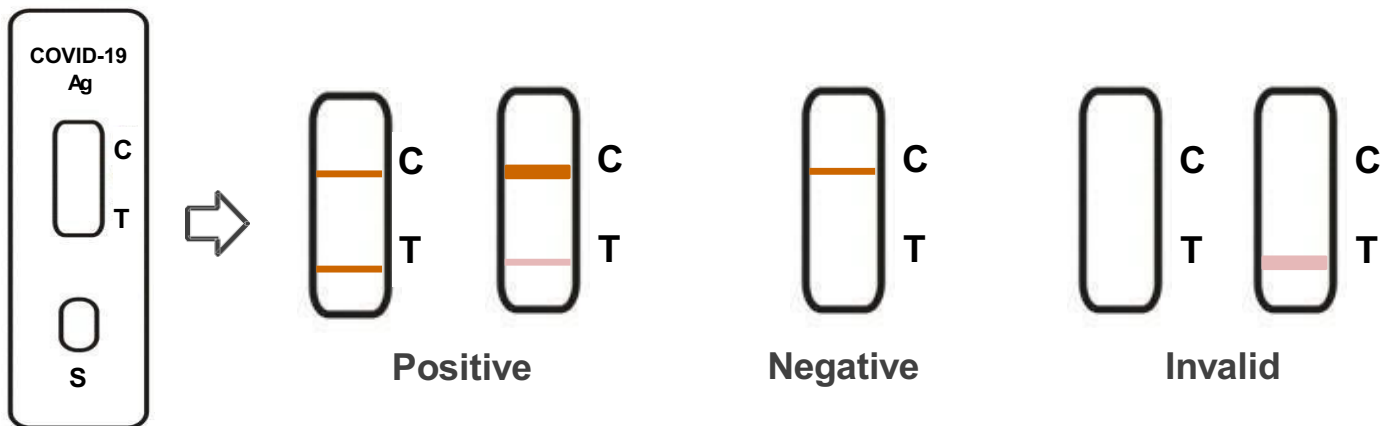
Test Procedures: Sampling



Test Procedures: Detection



Interpretation of Results



Positive(+): Red bands appear at both of T and C line in 15 to 30 minutes. A white band at the T line should be considered as a negative result.

Negative(-): A red band appears at C line while no red band appears at T line in 15 to 30 minutes after sample loading.

Invalid: As long as no red band appears at C line, it indicates that the test result is invalid, and should retest the sample with another test card.

Performance

Sensitivity	Specificity
97.3%	99.2%

PACKAGING INFORMATION For Professional Use

Nasopharyngeal Swab: **NPS**

Nasal Swab: **NS**

Oropharyngeal Swab: **OS**

Saliva: **S**

25 Tests/Box

Sample	NPS	NPS+S	NS	NS+S	OS	OS+S	S
Box (mm)	230x120x75						230*120*67
Box weight (kg)	0.292						0.292
Carton (mm)	530X490X410						510*490*360
Carton weight (kg)	1.5						1.3
PCS/Box	25						25
Boxes/Carton	40						40
PCS/Carton	1000						1000
Volume/Carton	0.106CBM						0.09CBM
NW/Carton (kg)	11.7						11.7
GW/Carton (kg)	13.2						13

5 Tests/Box

Sample	S	NS	NS+S	NPS	OS	NPS+S	OS+S
Inner box (mm)	122x68x49			193*85*42			
Outer box (mm)	258X128X75			225*197*89			
Outer box weight (kg)	0.38			0.5			
Carton (mm)	550*540*410			480*420*480			
Carton weight (kg)	1.8			1.4			
PCS/Inner Boxes	5			5			
Inner Boxes/Outer Box	40			20			
PCS/Carton	1000			500			
Volume/Carton	0.122CBM			0.097CBM			
NW/Carton (kg)	15.2			10			
GW/Carton (kg)	17			11.4			

1 Test/Box

Sample	S	NS	NS+S	NPS	OS	NPS+S	OS+S
Inner box (mm)	143*83*15			170*66*15			
Inner box weight (kg)	0.027			0.028			
Outer box (mm)	305*197*88			277*182*112			
Outer box weight (kg)	0.64			0.83			
Carton (mm)	550*540*390			590*580*410			
Carton weight (kg)	1.7			2.2			
PCS/Inner Boxes	25			25			
Inner Boxes/Outer Box	20			20			
PCS/Carton	500			500			
Volume/Carton	0.116CBM			0.140CBM			
NW/Carton (kg)	12.8			16.6			
GW/Carton (kg)	14.5			18.8			

PACKAGING INFORMATION Self-Testing

25 Tests / Box

Sample	Nasal Swab
Box (mm)	230x120x75
Box weight (kg)	0.292
Carton (mm)	530X490X410
Carton weight (kg)	1.5
PCS/Box	25
Boxes/Carton	40
PCS/Carton	1000
Volume/Carton	0.106CBM
NW/Carton (kg)	11.7
GW/Carton (kg)	13.2

5 Tests / Box

Sample	Nasal Swab
Inner box (mm)	122x68x49
Outer box (mm)	258X128X75
Outer box weight (kg)	0.38
Carton (mm)	550X540X410
Carton weight (kg)	1.8
PCS/Inner Boxes	5
Inner Boxes/Outer Box	40
PCS/Carton	1000
Volume/Carton	0.122CBM
NW/Carton (kg)	15.2
GW/Carton (kg)	17

1 Test / Box

Sample	Nasal Swab
Inner box (mm)	122X83X15
Outer box (mm)	255X170X105
Outer box weight (kg)	0.64
Carton (mm)	550X540X390
Carton weight (kg)	1.7
PCS/Inner Boxes	25
Inner Boxes/Outer Box	20
PCS/Carton	500
Volume/Carton	0.116CBM
NW/Carton (kg)	12.8
GW/Carton (kg)	14.5



EUROPEAN COMMISSION
DIRECTORATE-GENERAL FOR HEALTH AND FOOD SAFETY

Public health, country knowledge, crisis management
Health Security

EU health preparedness:

A common list of COVID-19 rapid antigen tests and a common standardised set of data to be included in COVID-19 test result certificates

Agreed by the Health Security Committee

This document was agreed by the HSC on 17 February 2021

Annex I

Common list of COVID-19 rapid antigen tests

A first update was agreed by the HSC on 10 May 2021; A second update was agreed by the HSC on 16 June 2021; A third update was agreed by the HSC on 7 July 2021; A fourth update was agreed by the HSC on 14 July 2021; A fifth update was agreed by the HSC on 23 July 2021.

IMPORTANT: A (interim) grace period of 8 weeks applies whenever updates are made to Annex I, the common list of COVID-19 rapid antigen tests

New Gene (Hangzhou) Bioengineering Co., Ltd.	COVID-19 Antigen Detection Kit	Yes	98% sensitivity Nasal swab	DE: Positive evaluation by Paul-Ehrlich-Institut (sensitivity of 92,5% at <Ct30 and 100% at <Ct25)		DE ^[2]		DE ^[2]		1501	16 June 2021
--	--------------------------------	-----	-------------------------------	---	--	-------------------	--	-------------------	--	------	--------------

Validation protocol for the Newgene bioengineering COVID-19 Rapid Antigen Test



Testing laboratory:
Molecular Diagnostic Laboratory
Via Petrini 2
CH-6900 Lugano
Switzerland

Discussion and Conclusion.

In conclusion, the Newgene antigen detection test is highly precise and accurate (**100% specificity and 95.1% sensitivity**), it is non-invasive and mimics the PCR results very closely where PCR is considered the golden standard technique. The device can easily be operated and used by non-medically trained personnel, does not need a laboratory setting and could be intended for regular use by regular people.

Lugano, June 18th 2021.
Dr. G. Soldati
CEO
Molecular Diagnostic Laboratory
Via Petrini 2
CH-6900 Lugano, Switzerland

Evaluation Report (Children under the age of 14)

Discussion

In the present study, the COVID-19 Antigen Detection Kit - Nasal Swab by New Gene (Hangzhou) Bioengineering Co., Ltd. has shown highly reliable performance in sample from children under the age of 14. Compared to conventional RT-PCR tests, the rapid antigen tests can meet a wider range of test needs. As the antigen tests take only 20 to 30 minutes, they are feasible for use in emergency scenarios where a test result is demanded immediately. Also, the rapid antigen tests doesn't require special instruments and training to use, they are also capable for resource limited scenarios like point-of-care testing and self-test by laypeople. Therefore, the implementation of rapid antigen test may totally change the strategies to control COVID-19. Community residents can conduct the rapid antigen test in a frequent manner, like twice or three times a week, to identify COVID-19 cases in the early stage of infection. This strategy may help to stop the transmission of COVID-19 as early as possible. In summary, the COVID-19 Antigen Detection Kit - Nasal Swab has shown satisfying sensitivity, specificity, and total accuracy in the present evaluation. It can be used as a rapid tool to assist the early diagnosis of COVID-19 cases in children under the age of 14.


Signatures

Operator:


mgr Ewa Miłosz
DIAGNOSTA LABORATORYJNY

Date: 21.07.2021

Reviewer:


dr Paweł Chrzan
DIAGNOSTA LABORATORYJNY

Date: 21.07.2021

Evaluation Report (Saliva)

Result Analysis:

The test results of RT-PCR and the COVID-19 Antigen Detection Kit are summarized in 2x2 table below.

		RT-PCR Reagent		Total
		Positive	Negative	
Antigen Test	Positive	204	0	204
	Negative	16	200	216
Total		220	200	420

Sensitivity (%) = $204 \div (204 + 16) \times 100\% = 92,73\%$; 95% CI: 88,46% ~ 95,79%

Specificity (%) = $200 \div (0 + 200) \times 100\% = 100,0\%$; 95% CI: 98,17% ~ 100,00%

Total accuracy (%) = $(204 + 200) \div (204 + 0 + 16 + 200) \times 100\% = 96,19\%$;

95% CI: 93,89% ~ 97,81%

The 95% Confidence Intervals of sensitivity, specificity, and total accuracy are calculated following the binomial distribution.

Analysis results by Kappa consistency test shows that the Kappa value = 0,9239 (95% CI: 0,8875 ~ 0,9604). As $Kappa \geq 0.75$, it suggests good consistency between the COVID-19 Antigen Detection Kit and the COVID-19 RT-PCR detection reagent. Therefore, the COVID-19 Antigen Detection Kit has shown reliable performance on detecting SARS-CoV-2 virus in saliva samples from suspected COVID-19 patients.

(+++) - positive - intensity of line T similar or higher than line C

(++) - positive - intensity of line T lower than line C

(+) - positive - border intensity of line T

(-) - negative - line T is absent

Signatures

Operator:

09530
mgr Janusz Partyka
DIAGNOSTA LABORATORYJNY

Date:

12.08.2021

Reviewer:

09530
dr. Paweł Chrzan
DIAGNOSTA LABORATORYJNY

Date:

12.08.2021

Self-test Approval in Switzerland



Schweizerische Eidgenossenschaft
Confédération suisse
Confederazione Svizzera
Confederaziun svizra

Eidgenössisches Departement des Innern EDI
Bundesamt für Gesundheit BAG
Taskforce BAG Covid-19 AG Testung

Sars-CoV-2-Antigen-Schnelltests zur Eigenanwendung (Sars-CoV-2 Selbsttest)¹ Tests rapides pour l'antigène du SARS-CoV-2 pour auto-application (autotest SARS-CoV-2) Test rapidi dell'antigene SARS-CoV-2 per uso proprio (test autodiagnostici SARS-CoV-2)

03.09.2021

Die Schnelltests zur Eigenanwendung sind ausschliesslich für den **nasalen Abstrich** validiert und nur [Webseite Covid-19 Testung](#) dementsprechend anzuwenden. Informationen bezüglich des Einsatzes der Schnelltests finden Sie auf der BAG-Webseite Covid-19-Testung.

Les tests rapides pour auto-application sont validés pour les **prélèvements nasaux** uniquement et ne [Site internet Tests COVID-19](#) doivent donc être utilisés qu'en conséquence. Ces informations sur l'emploi prévu des tests rapides sont disponibles sur le site web de l'OFSP Tests COVID-19.

I test rapidi per uso proprio sono convalidati solo per i **tamponi nasali** e dovrebbero essere usati solo [Sito web Test COVID-19](#) di conseguenza.. Le informazioni su come utilizzare i test rapidi sono disponibili sul sito internet dell'UFSP «Test COVID-19».

Hersteller Fabricant Azienda		Antigen Schnelltest Tests rapides antigéniques Test antigenici rapidi
Abbott Rapid Diagnostics	Germany	Panbio™ COVID-19 Antigen Self-Test
ACON Biotech (Hangzhou) Co. Ltd.	China	Flowflex SARS-CoV-2 Antigen Rapid Test (Self-Testing)
Becton, Dickinson and Company (BD)	United States	BD Kit for Rapid Detection of SARS-CoV-2
BIOSYNEX SWISS S.A.	Switzerland	BIOSYNEX Autotest antigénique COVID-19 Ag
Hangzhou AllTest Biotech Co., Ltd	China	ALLTEST SARS-CoV-2 Antigen Rapid Test (Nasal Swab)
Hangzhou AllTest Biotech Co., Ltd	China	JusChek SARS-CoV-2 Antigen Rapid Test (Nasal Swab)
New Gene (Hangzhou) Bioengineering Co., Ltd.	China	COVID-19 Antigen Detection Kit - Nasal Swab
Roche (SD BIOSENSOR)	Switzerland	SARS-CoV-2 Rapid Antigen Test Nasal
Siemens Healthineers	Germany	CLINITEST® Rapid COVID-19 Antigen Self-Test
Xiamen Boson Biotech Co., Ltd.	China	Rapid SARS-CoV-2 Antigen Test Card

Wichtige Hinweise:

Information importante :

Avvertenza importante:

¹ Diese Liste beinhaltet SARS-CoV-2-Antigen-Schnelltest, welche die Anforderungen nach Art. 24 der Covid-19-Verordnung 3 erfüllen und zudem entweder eine CE-Zertifizierung als Produkt zur Eigenanwendung einer benannten Stelle besitzen oder eine Ausnahmegewilligung durch Swissmedic als Produkt zur Eigenanwendung besitzen.

Cette liste inclut les tests rapides pour la recherche de l'antigène du SARS-CoV-2 qui remplissent les exigences de l'art. 24 de l'ordonnance 3 COVID-19 et qui sont soit certifiés CE comme dispositif d'autotest par un organisme notifié ou qui ont une dérogation de Swissmedic pour l'auto-application.

Questo elenco comprende i test rapidi per l'antigene SARS-CoV-2 che soddisfano i requisiti dell'art. 24 dell'ordinanza 3 COVID-19 e che hanno una certificazione CE da parte di un organismo notificato come prodotto per uso proprio o un'esenzione di Swissmedic come prodotto per uso proprio.

Registration or Allowed List (Partially)

Self-test Approval in Malaysia



Home / Announcement / SELF-TEST COVID-19 TEST KIT FOR CONDITIONAL APPROVAL (APPROVED)

SELF-TEST COVID-19 TEST KIT FOR CONDITIONAL APPROVAL (APPROVED)



SELF-TEST COVID-19 TEST KIT FOR CONDITIONAL APPROVAL (APPROVED)

The list of Self-Test Covid-19 Test Kit that is approved for Conditional Approval based on the decision on the consensus of the Covid-19 Test Kit Expert committee is as follows.

All test submissions are scored according to: -

- the manufacturer reported clinical and analytical performance evidence.
- the evaluation test results from testing facilities are according to the committee evaluation criteria set by Clinical expert panels.
- Supporting Documents for COVID-19 IVD Test Kits Conditional Approval.

The use of COVID-19 self- test kit shall be limited for screening purpose only and all test results need further confirmation using RT-PCR.

This test kit can be supplied by registered pharmacists or private healthcare facilities.

Below is the list of all tests that have been selected to date and the status is Conditional Approval (please note: list is updated on a routine basis).

Notes:

*Sample type is based on testing facility evaluation report.

NO	COMPANY NAME	PRODUCT NAME	MANUFACTURER	IDENTIFIER	DETECTION	SAMPLE TYPE
11	Dewina Consult Sdn Bhd	NEWGENE Bioengineering COVID-19 Antigen Detection Kit	New Gene (Hangzhou) Bioengineering Co., Ltd. P.R. China	COVID-19-NG08	RTK-Antigen (Self-test)	Saliva or Nasal swab

Updated 13 August 2021

Self-test Approval in Thailand



รายชื่อชุดตรวจสำหรับ COVID-19 ประเภท Rapid Test Antigen หรือ Antigen Test Kits แบบตรวจแอนติเจนด้วยตนเอง (COVID-19 Antigen Test Self-Test Kits) ที่ได้รับการอนุญาตให้ผลิต/นำเข้า จากสำนักงานคณะกรรมการอาหารและยา

ข้อมูล ณ วันที่ 25 ตุลาคม 2564

ลำดับที่	ชื่อผลิตภัณฑ์	ชื่อผู้นำเข้า	ชื่อผู้ผลิต	วันที่ได้รับอนุญาต (วัน/เดือน/ปี)	เลขที่ใบรับรองประเมินเทคโนโลยี	ลิงค์วีดีโอขั้นตอนการใช้ชุดตรวจ
81	COVID-19 Antigen Detection Kit ยี่ห้อ NEWGENE รหัสสินค้า COVID-19-NG08 ขนาดบรรจุ 25 ชุดทดสอบต่อกล่อง (Nasal swab)	บริษัท บิซิเนสโซโลเม้นท์ จำกัด (มหาชน) โทร. 0 2636 6828-9	New Gene (Hangzhou) Bioengineering Co., Ltd. China	25/10/2564	T 6400416	

Registration or Allowed List (Partially)

Antigen-Tests zum direkten Erregernachweis des Coronavirus SARS-CoV-2

Die Angabe „Evaluierung PEI“ bildet die entsprechende, auf der Webseite des Paul-Ehrlich-Instituts (PEI) veröffentlichte Übersicht zur dortigen vergleichenden Evaluierung der Tests von SARS-CoV-2 Antigen-Schnelltests ab (siehe Webseite des PEI).

• „Ja“ bedeutet, dass der Test bereits mit positivem Ergebnis durch das PEI evaluiert wurde.
 • „Nein“ bedeutet, dass bislang keine entsprechenden Testergebnisse vorliegen.
 In Falle einer negativen Evaluierung durch das PEI streicht das BfArM den entsprechenden Test mit allen zugehörigen Vertriebern von seiner Liste.

Test-ID	Handelsname des Herstellers / Emp. Bezeichnung	Hersteller	Europäischer Bevollmächtigter	Sensitivität	Spezifität
AT419021	COVID-19 Antigen Detection Kit NG08	New Gene (Hangzhou) Bioengineering Co., Ltd.	SUNGO Europe B.V.	97,30	92,4 - 99,4
AT50221	COVID-19 Antigen Detection Kit NG08 SN	New Gene (Hangzhou) Bioengineering Co., Ltd.	SUNGO Europe B.V.	97,10	92,4 - 99,3
AT23201	COVID-19 Antigen Detection Kit NG08NS	New Gene (Hangzhou) Bioengineering Co., Ltd.	SUNGO Europe B.V.	98,00	90,3 - 99,3

BfArM of Germany

Elenco dispositivi individuali
 Dati aggiornati al: 19/06/2021

TIPOLOGIA DEL DISPOSITIVO	IDENTIFICATIVO DISPOSITIVO	DESCRIZIONE	ALICE	COCCIA	MODELLO	NUMERO COMMERCIALE E CND	CLASSE CE	DATA PRIMA PUBBLICAZIONE	DATA FINE IMPOSIZIONE IN COMMERCIO	RUOLO AZIENDA	DEDENOMINAZIONE	CODICE FISCALE	PARTITA IVA/INTRA	Nazione
Dispositivo	203843	COVID-19-HG02	NOVEL CORONAVIRUS ANTIGEN DETECTION KIT (COLLOIDAL GOLD)	NOVEL CORONAVIRUS ANTIGEN DETECTION KIT (COLLOIDAL GOLD)	W01004019-CORNAH019	NO	Altra tipo di IV	12/11/2020		FABBRICANTE	NEW GENE (HANGZHOU) BIOENGINEERING CO., LTD.			CH
Dispositivo	202759	COVID-19-HG02	NOVEL CORONAVIRUS ANTIGEN DETECTION KIT (COLLOIDAL GOLD)	NOVEL CORONAVIRUS ANTIGEN DETECTION KIT (COLLOIDAL GOLD)	W01004019-CORNAH019	NO	Altra tipo di IV	02/11/2020		FABBRICANTE	NEW GENE (HANGZHOU) BIOENGINEERING CO., LTD.			CH
Dispositivo	210476	COVID-19-HG08	COVID-19 KIT DI RILEVAMENTO ANTIGENICO COVID-19 ANTIGEN DETECTION KIT	COVID-19 KIT DI RILEVAMENTO ANTIGENICO COVID-19 ANTIGEN DETECTION KIT	W01004019-CORNAH019	NO	Altra tipo di IV	11/05/2021		FABBRICANTE	NEW GENE (HANGZHOU) BIOENGINEERING CO., LTD.			CH
Dispositivo	201246	COVID-19-HG04	NOVEL CORONAVIRUS SPIKE GLYCOPROTEIN DETECTION KIT (LIQUID RECEPTOR COMPETITIVE)	NOVEL CORONAVIRUS SPIKE GLYCOPROTEIN DETECTION KIT (LIQUID RECEPTOR COMPETITIVE)	W01004019-CORNAH019	NO	Altra tipo di IV	21/10/2020		FABBRICANTE	NEW GENE (HANGZHOU) BIOENGINEERING CO., LTD.			CH

Italy

Portugal <https://www.lnfarmed.pt/web/lnfarmed/pesquisa-dispositivos>

COVID-19-NG08	New Gene (Hangzhou) Bioengineering Co., Ltd.	62788353	DM Diagnóstico In Vitro (DIV)	NEWGENE	NG08	Outros (DIV não listado no anexo II da Diretiva 98/79/CE e não destinado a auto diagnóstico)	COVID-19 ANTIGEN DETECTION KIT
COVID-19 ANTIGEN DETECTION KIT	New Gene (Hangzhou) Bioengineering Co., Ltd.	63025426	DM Diagnóstico In Vitro (DIV)	NEWGENE	NG08	Outros (DIV não listado no anexo II da Diretiva 98/79/CE e não destinado a auto diagnóstico)	COVID-19 ANTIGEN DETECTION KIT

Portugal

PLATEFORME COVID-19

Statut: CE CNR HAS

Type de test: Antigénique

Sous-type de test: ---

Cibles: ---

Type prélevement: ---

Rechercher: new gene

Cette liste a été constituée en l'état actuel des connaissances scientifiques et sur la base des informations remontées par les opérateurs (fabricant ou distributeur) à l'ANSM. Elle est susceptible d'être modifiée en fonction des évolutions de l'état de la connaissance.

3 tests affichés

NOM	FABRICANT	DISTRIBUTEUR	CE	CNR	HAS	SOUS-TYPE DE TEST
COVID-19 Antigen detection kit	New Gene (Hangzhou) Bioengineering	AITECH	<input checked="" type="checkbox"/>	<input checked="" type="checkbox"/>	<input checked="" type="checkbox"/>	Antigénique non automatisé (dont TROD)

ANSM of France

Schweizerische Eidgenossenschaft
 Confédération suisse
 Confederazione Svizzera
 Confederaziun svizra

Eidgenössisches Departement des Innern EDI
 Bundesamt für Gesundheit BAG
 Taskforce BAG Covid-19 AG-Testing

Listen der validierten SARS-CoV-2-Schnelltests
 Listes des tests rapides validés pour le SARS-CoV-2
 Lista dei test rapidi validati per il SARS-CoV-2

15.03.2021

Die Schnelltests sind ausschließlich für bestimmte Probenmaterialien validiert und nur dementsprechend anzuwenden. Informationen bezüglich des Einsatzes der Schnelltests finden Sie auf der BAG-Webseite Covid-19-Testing.
 Les tests rapides sont validés exclusivement pour certains types de prélèvements et ne doivent ainsi être utilisés que pour ceux-ci. Ces informations sur l'emploi des tests rapides sont disponibles sur le site web de l'OFSP-Tests COVID-19.
 I test rapidi sono validati solo per certi tipi di campioni e possono essere utilizzati solo per questo scopo. Le informazioni su come utilizzare i test rapidi sono disponibili sul sito internet dell'UFSP «Test COVID-19».

Validierte SARS-CoV-2-Schnelltests nach diagnostischem Standard zur Fachwendung
 Tests rapides SARS-CoV-2 validés selon le standard diagnostic pour usage professionnel
 Test rapidi SARS-CoV-2 validati secondo lo standard diagnostico per uso professionale

Hersteller / Fabricant / Azienda	Antigen Schnelltest / Tests rapides antigéniques / Test antigenici rapidi	TestKitCode for electronic declaration	Handelsname / Nom commercial / Nome commerciale	CE	CNR	HAS
New Gene (Hangzhou) Bioengineering Co. Ltd., China	COVID-19 Antigen Detection Kit	30 (new)		<input checked="" type="checkbox"/>	<input checked="" type="checkbox"/>	<input checked="" type="checkbox"/>

Switzerland

Žádost o notifikaci zdravotnického prostředku

Žadatel

Registrační číslo: 054535
 Název: Markmed s.r.o.
 IČ: 02478170
 Ulice: Kubánské náměstí 1391
 Obec: Praha
 PSČ: 10000
 Stát: Česká republika

Identifikace zdravotnického prostředku

Druh zdravotnického prostředku: Diagnostický zdravotnický prostředek in vitro
 Typ evidence zdravotnického prostředku: Notifikace dle § 33
 Činnost: Distributor
 Obchodní název zdravotnického prostředku: Novel Coronavirus Spike Glycoprotein Detection Kit (Ligand receptor Competitive Chromatography)
 Jedná se o příslušenství? Ne
 Jedná se o soupravu/systém zdravotnických prostředků? Ne
 Míra zdravotního rizika zdravotnického prostředku: IVD A

Czech

OGYÉI Országos Gyógyszerészeti és Élelmezés-egészségügyi Intézet
 Orvostechnikai Főosztály

1051 Budapest, Zrínyi utca 3.
 Levélcím: 1372 Postafiók 450
 Tel: +36 1 686 9300. Fax: +36 1 686 9460
 E-mail: ogyei@ogyei.gov.hu
 Web: www.ogyei.gov.hu

Ügyiratszám: OGYÉI/4321-3/2021
 Nyilvántartási szám: HU/CA01/4321/21
 Tárgy: Nyilvántartásba vétel igazolása
 Ügyintéző: Szlobodnyik Gábor

Az eszköz(ök) neve:

COVID-19 Antigen Detection Kit	db/doboz
tesztkazetta	25
minta extrakciós cső	25
tampon pálcica	25
papír tasak	25
használati utasítás	1

A gyártó neve: New Gene (Hangzhou) Bioengineering Co.Ltd.
 A gyártó kódja: CN/000000053699
 A meghatalmazott képviselő neve: Sungo Europe B.V.
 A meghatalmazott képviselő kódja: NL/492381971
 A forgalmazó neve: Biosan Egészségügyi Kereskedelmi és Szolgáltató Kft.
 A forgalmazó kódja: HU/10331701-2-41

Hungary

services and products

GreMIDIS - Greek Medical Device Information System

Kovártozás In Vitro (Auszvartag) - Tpoúvno - Notification of IVD (Distributor) - Products

Product name	Product name	Koúv avwv	Kovártozás	Classification	Koúvavv
COVID-19 Antigen Detection Kit	COVID-19 Antigen Detection Kit	COVID-19-NG08	Antivirális	Others	20200846031

Greece

Registration or Allowed List (Partially)



**Urząd Rejestracji
Produktów Leczniczych, Wyrobów Medycznych i Produktów Biobójczych**
Al. Jerozolimskie 181C, 02-222 Warszawa; tel. +48 22 492-11-00; fax +48 22 492-11-09
NIP 521-32-14-182 REGION 015249601

Warszawa, 2021-04-01

ZASWIADCZENIE NR 80 / 2021

Cavassi Steel sp. z o.o.
Al. Jerozolimskie 89/43
02-001 Warszawa

Na podstawie art. 217 § 2 pkt 2 w związku z art. 218 § 1 ustawy z dnia 14 czerwca 1960 r. Kodeks postępowania administracyjnego (Dz.U. z 2020 r. poz. 256 ze zm.), po rozpatrzeniu wniosku z dnia 26.03.2021 r.:

Prezes Urzędu Rejestracji Produktów Leczniczych, Wyrobów Medycznych i Produktów Biobójczych

zaświadcza że:

po analizie danych pochodzących ze zgłoszeń i powiadomień, o których mowa w art. 64 ust. 1 ustawy z dnia 20 maja 2010 r. o wyrobach medycznych (Dz. U. z 2020 r. poz. 186 i 1493.) stwierdzono, że w dniu 29.03.2021 roku wpłynęło powiadomienie od dystrybutora: Cavassi Steel sp. z o.o., Al. Jerozolimskie 89/43, 02-001 Warszawa dotyczące:

Zestaw do wykrywania antygenu COVID-19 / COVID-19 Antigen Detection Kit

Wytwórca: New Gene (Hangzhou) Bioengineering Co., Ltd, Room 1606, Floor 16, Building 5, 688 Bin'an Road, Changhe Str, 310652, Hangzhou City, Zhejiang Province, Chiny

Autoryzowany przedstawiciel: SUNGO Europe B.V, Olympisch Stadion 24, 107DE Amsterdam, Holandia

Dystrybutor: Cavassi Steel Sp. z o.o., Al. Jerozolimskie 89/43, 02-001 Warszawa

Prezes Urzędu informuje, że wydane zaświadczenie potwierdza powiadomienie, jednocześnie nie potwierdza, że powiadomienie zostało złożone jako kompletne i prawidłowe oraz nie rozstrzyga, że ww. wyrobę są wyrobami medycznymi do diagnostyki in vitro w rozumieniu ustawy z dnia 20 maja 2010 r. o wyrobach medycznych (Dz. U. z 2020 r. poz. 186 i 1493.) ani, że spełniają wymagania zawarte w ww. ustawie.

Z upoważnienia Prezesa
ZASTĘPCA DYREKTORA
Działu Rejestracji
o Wyrobach Medycznych
Anna Puzsi

Poland

PERU Ministerio de Salud, Viceministerio de Salud Pública, Dirección General de Medicamentos, Insumos y Drogas

Decenio de la Igualdad de Oportunidades para Mujeres y Hombres
"Año de la Universalización de la Salud"

R.D. N° 6450 -2020/DIGEMID/DDMP/UFDM/MSINA

RESOLUCION DIRECTORAL
Lima, 09 SEP 2020

Visto el trámite virtual, del expediente N° 20-062595-1 del 14 de Agosto del 2020 y Anexo 1 del 03 de Setiembre del 2020, presentados por el Sr. Yin Li, Representante Legal de la DROGUERIA GRAND TAI LATIN AMERICA S.A.C., con domicilio en Av. Los Frutales N° 1030 Urb. Camino Real, La Molina - Lima, SOLICITANDO AUTORIZACION EXCEPCIONAL PARA LA IMPORTACION Y USO DE DISPOSITIVO MEDICO SIN REGISTRO SANITARIO O EN CONDICIONES NO ESTABLECIDAS EN EL REGISTRO SANITARIO, EN SITUACIONES DE EMERGENCIA DECLARADA;

CONSIDERANDO:

Que, el artículo 16° de la Ley N° 29459 Ley de los Productos Farmacéuticos, Dispositivos Médicos y Productos Sanitarios señala que "La Autoridad Nacional de Salud (ANS), (...) autoriza la importación, la fabricación y el uso de productos farmacéuticos, dispositivos médicos y productos sanitarios sin registro sanitario o en condiciones no establecidas en el registro sanitario entre otros, en situaciones de urgencia o emergencia declarada...";

Que, el artículo 20° del Decreto Supremo N° 016-2011-SA y modificatorias, establece que "La Autoridad Nacional de Salud (ANS), a través de la Autoridad Nacional de Productos Farmacéuticos, Dispositivos Médicos o Productos Sanitarios, autoriza (...) la importación, fabricación y el uso de productos farmacéuticos, dispositivos médicos, productos sanitarios sin registro sanitario o en condiciones no establecidas en el registro sanitario, en los siguientes casos debidamente calificados: (...) a) Uso en situaciones de urgencia o emergencia declarada. Para estos casos se presenta la copia de la Resolución de declaración de emergencia emitida por la Autoridad competente y el listado de los productos o dispositivos con sus especificaciones técnicas;

Que, mediante el expediente N° 20-062595-1 del 14 de Agosto del 2020 y Anexo 1 del 03 de Setiembre del 2020, la DROGUERIA GRAND TAI LATIN AMERICA S.A.C., solicita la AUTORIZACION EXCEPCIONAL PARA LA IMPORTACION Y USO DEL DISPOSITIVO MEDICO DE DIAGNOSTICO IN VITRO EXTRANJERO: Novel Coronavirus Spike Glycoprotein Detection Kit, fabricado por: New Gene (Hangzhou) Bioengineering Co., Ltd. - China;

Que, en el marco de lo dispuesto en el Decreto Supremo N° 008-2020-SA, Decreto Supremo que declara en Emergencia Sanitaria a nivel nacional por el plazo de noventa (90) días calendario y dicta medidas de prevención y control del COVID-19, de fecha 11 de marzo del 2020, Decreto Supremo N° 044-2020-PCM, Decreto Supremo que declara Estado de Emergencia Nacional por las graves circunstancias que afectan la vida de la Nación a consecuencia del brote del COVID-19 de fecha 15 de marzo del 2020 y Decreto Supremo N° 094-2020-PCM, Decreto Supremo que establece las medidas que debe observar la ciudadanía hacia una nueva convivencia social y proroga el Estado de Emergencia Nacional por las graves circunstancias que afectan la vida de la Nación a consecuencia del COVID-19 de fecha 23 de mayo del 2020 y ante el incremento de casos de COVID-19 a nivel nacional, se considera procedente autorizar excepcionalmente la importación y el uso del Dispositivo Médico de Diagnóstico In Vitro sin registro sanitario por la situación de emergencia declarada durante el periodo que dura la emergencia sanitaria declarada por el Ministerio de Salud debido a la existencia del COVID-19;

Que, se ha evaluado la documentación presentada por el administrado, en aplicación de lo establecido en el art. 20° del Reglamento para el Registro, Control y Vigilancia Sanitaria de Productos Farmacéuticos, Dispositivos Médicos y Productos Sanitarios aprobado mediante Decreto Supremo N° 016-2011-SA y sus modificatorias, por lo que corresponde otorgarle la autorización excepcional solicitada;

De conformidad a lo dispuesto por el Decreto Supremo N° 016-2011-SA y sus modificatorias, Decreto Supremo N° 008-2020-SA y modificatorias, Ley N° 29459 Ley de los Productos Farmacéuticos, Dispositivos Médicos y Productos Sanitarios, Decreto Legislativo N° 1161, Decreto Legislativo que

Av. Parque de la Leyenda 240
San Miguel, Perú
70321-001-4180

EL PERÚ PRIMERO

Peru



"2020 - AÑO DEL GENERAL MANUEL BELGRANO"

Ministerio de Salud
Secretaría de Calidad en Salud
A.N.M.A.T.

AUTORIZACIÓN PARA LA IMPORTACIÓN DE PRODUCTOS PARA DIAGNÓSTICO DE USO IN VITRO NO REGISTRADOS DE BAJA COMERCIALIZACIÓN DISP. 2675/99 ART. 6°

ANEXO

DATOS DEL SOLICITANTE

Razón Social: ALCAT S.A.

N° de Inscripción: 1680

Dirección: INGENIERO EIFFEL 4180 ,PARTIDO DE MALVINAS ARGENTINAS, EL TRIANGULO BUENOS AIRES
Teléfono: 011-15-2461-2223

DATOS DEL PRODUCTO

Nombre del producto: Novel Coronavirus Spike Glycoprotein Detection Kit (Ligand-receptor Competitive Chromatography)
Marca: NEWGENE

Indicación de uso: Este producto es adecuado para la detección cualitativa y cuantitativa del nuevo coronavirus (SARS-CoV-2) en muestras de vías respiratorias o muestras fecales. Esta tira se puede aplicar a la detección rápida de SARS-CoV-2 y es adecuada para hospitales, empresas, escuelas, tropas, comunidades y familias. Los síntomas comunes de la infección humana con el coronavirus incluyen síntomas respiratorios, fiebre, tos, dificultad para respirar. En los casos más graves, la infección puede provocar neumonía, síndrome respiratorio agudo severo, insuficiencia renal e incluso la muerte.

Descripción: COMPOSICIÓN

Tarjeta de prueba desechable; Hisopo de algodón; Tubo de extracción de muestras; Taza de muestra;

PRINCIPIO

El SARS-CoV-2 invade las células humanas mediante la unión específica de su

Página 1 de 4

Página 1 de 4

El presente documento electrónico ha sido firmado digitalmente en los términos de la Ley N° 25.506, el Decreto N° 216290002 y el Decreto N° 28320003.

Argentina



INFORME TÉCNICO PARA LA EMISIÓN DEL CERTIFICADO DE INSCRIPCIÓN EN EL REGISTRO SANITARIO DE DISPOSITIVOS MÉDICOS DE FABRICACIÓN EXTRANJERA

Fecha de elaboración: 30/10/2020

De conformidad con el (los) análisis técnico (s) y legal realizados para la Emisión del Certificado de Inscripción En El Registro Sanitario De Dispositivos Médicos De Fabricación Extranjera, correspondiente a la solicitud Nro. 1682216820200000008P, ingresada el 08/10/2020, se emite el siguiente informe:

Datos del producto analizado

Nombre de producto:	18-988 Reactivos/Kits para Ensayos de DIV, Química Clínica, Ensayo Rápido
Clasificación:	DIV DIAG UU G5VIR RIII
Fabricante:	NEW GENE (HANGZHOU) BIOENGINEERING CO., LTD.
Solicitante:	ANDRADE PACHECO JORGE LUIS

Resultados

Análisis Documental Técnico

Fecha de elaboración de informe: 2020-10-30 14:25:20
Técnico responsable del análisis: VERÓNICA ELIZABETH PORTERO LOPEZ
Licor responsable del análisis: FERNANDO FABIAN JIMENEZ SALAZAR

Resultados del análisis: Aceptado

Conclusión: Aceptado

Ecuador

**COVID-19 RAPID TESTS KITS (ART)
AUTHORISED FOR USED IN BRUNEI DARUSSALAM.**

The listed Covid-19 antigen rapid test kits that are recommended and authorized for use are based on the evaluation done by Ministry of Health, Brunei Darussalam. The results of the evaluations are determined according to the clinical and analytical performance of the test kits (sensitivity and specificity claimed by the manufacturers), safety standards, quality and efficacy of the test kits.

Ministry of Health, through the Department of Laboratory Services will continue to update the list of authorized Covid-19 rapid test kits in order to ensure the supplied antigen rapid tests kits are meeting the required standards.

This list is updated as at 6 September 2021.

NO	PRODUCT NAME	MANUFACTURER	DETECTION	SAMPLE TYPE
8	NEWGENE Bioengineering COVID-19 Antigen Detection Kit	New Gene (Hangzhou) Bioengineering Co., Ltd. China	Antigen	Sputum/ Nasopharyngeal

Brunei

République Démocratique du Congo



Ministère de la Santé
Secrétariat Général
Direction Générale de Lutte
contre la Maladie
Direction des Laboratoires de Santé

AUTORISATION ANNUELLE DE MISE SUR LE MARCHÉ D'UN DISPOSITIF MEDICAL A USAGE DE DIAGNOSTIC IN VITRO N°MS.DIR.LABO/SD/06.10.20.21

DISPOSITIF ENREGISTRE SOUS LE N°MS.DIR.LABO/D1/06.10.20.21

Le Ministère de la santé représenté par la Direction des Laboratoires de Santé, autorise en République Démocratique du Congo la mise sur le marché d'un réactif de diagnostic in vitro dont détails ci-dessous :

A. Identification sommaire du dispositif :

- **Dénomination** : Kit de test d'autodiagnostic du Covid-19 Newgene
- **Destination** : Détection rapide d'Ag Sars-Cov2
- **Commercialisation** : auto test rapide d'Ag Sars-Cov2

B. Détails techniques : (à compléter avec la fiche technique)

Congo

MINISTRY OF HEALTH
PHARMACY AND POISONS BOARD
(Section 3B(2)(e) of the Pharmacy and Poisons Act, Cap 244 Laws of Kenya)

IN-VITRO DIAGNOSTIC EMERGENCY USE AUTHORIZATION

This Emergency Use Authorization is issued to **New Gene (Hangzhou) Bioengineering Co., Ltd.** for distribution and sale of **Novel Coronavirus Antigen Detection Kit (Colloidal Gold)**

Emergency use Authorization (EUA) No.	MD/2021/7674
EUA valid until	End of COVID-19 Pandemic or EUA revocation

Kenya



SAHPRA Head Office:
Building A
Lotus Park
2nd Floor
Kilnaris Road
Arcadia,
0083

Enquiries: Medical Device Unit
Toll: N/A
Email: SAHPRA@sahealthproducts.org.za
Ref. No: MDT 10000
Licence: 5000500000_02

SAHPRA (Pty) Ltd
Suite 5, Lot 10, 11, 12, 13, 14, 15, 16, 17, 18, 19, 20, 21, 22, 23, 24, 25, 26, 27, 28, 29, 30, 31, 32, 33, 34, 35, 36, 37, 38, 39, 40, 41, 42, 43, 44, 45, 46, 47, 48, 49, 50, 51, 52, 53, 54, 55, 56, 57, 58, 59, 60, 61, 62, 63, 64, 65, 66, 67, 68, 69, 70, 71, 72, 73, 74, 75, 76, 77, 78, 79, 80, 81, 82, 83, 84, 85, 86, 87, 88, 89, 90, 91, 92, 93, 94, 95, 96, 97, 98, 99, 100, 101, 102, 103, 104, 105, 106, 107, 108, 109, 110, 111, 112, 113, 114, 115, 116, 117, 118, 119, 120, 121, 122, 123, 124, 125, 126, 127, 128, 129, 130, 131, 132, 133, 134, 135, 136, 137, 138, 139, 140, 141, 142, 143, 144, 145, 146, 147, 148, 149, 150, 151, 152, 153, 154, 155, 156, 157, 158, 159, 160, 161, 162, 163, 164, 165, 166, 167, 168, 169, 170, 171, 172, 173, 174, 175, 176, 177, 178, 179, 180, 181, 182, 183, 184, 185, 186, 187, 188, 189, 190, 191, 192, 193, 194, 195, 196, 197, 198, 199, 200, 201, 202, 203, 204, 205, 206, 207, 208, 209, 210, 211, 212, 213, 214, 215, 216, 217, 218, 219, 220, 221, 222, 223, 224, 225, 226, 227, 228, 229, 230, 231, 232, 233, 234, 235, 236, 237, 238, 239, 240, 241, 242, 243, 244, 245, 246, 247, 248, 249, 250, 251, 252, 253, 254, 255, 256, 257, 258, 259, 260, 261, 262, 263, 264, 265, 266, 267, 268, 269, 270, 271, 272, 273, 274, 275, 276, 277, 278, 279, 280, 281, 282, 283, 284, 285, 286, 287, 288, 289, 290, 291, 292, 293, 294, 295, 296, 297, 298, 299, 300, 301, 302, 303, 304, 305, 306, 307, 308, 309, 310, 311, 312, 313, 314, 315, 316, 317, 318, 319, 320, 321, 322, 323, 324, 325, 326, 327, 328, 329, 330, 331, 332, 333, 334, 335, 336, 337, 338, 339, 340, 341, 342, 343, 344, 345, 346, 347, 348, 349, 350, 351, 352, 353, 354, 355, 356, 357, 358, 359, 360, 361, 362, 363, 364, 365, 366, 367, 368, 369, 370, 371, 372, 373, 374, 375, 376, 377, 378, 379, 380, 381, 382, 383, 384, 385, 386, 387, 388, 389, 390, 391, 392, 393, 394, 395, 396, 397, 398, 399, 400, 401, 402, 403, 404, 405, 406, 407, 408, 409, 410, 411, 412, 413, 414, 415, 416, 417, 418, 419, 420, 421, 422, 423, 424, 425, 426, 427, 428, 429, 430, 431, 432, 433, 434, 435, 436, 437, 438, 439, 440, 441, 442, 443, 444, 445, 446, 447, 448, 449, 450, 451, 452, 453, 454, 455, 456, 457, 458, 459, 460, 461, 462, 463, 464, 465, 466, 467, 468, 469, 470, 471, 472, 473, 474, 475, 476, 477, 478, 479, 480, 481, 482, 483, 484, 485, 486, 487, 488, 489, 490, 491, 492, 493, 494, 495, 496, 497, 498, 499, 500, 501, 502, 503, 504, 505, 506, 507, 508, 509, 510, 511, 512, 513, 514, 515, 516, 517, 518, 519, 520, 521, 522, 523, 524, 525, 526, 527, 528, 529, 530, 531, 532, 533, 534, 535, 536, 537, 538, 539, 540, 541, 542, 543, 544, 545, 546, 547, 548, 549, 550, 551, 552, 553, 554, 555, 556, 557, 558, 559, 560, 561, 562, 563, 564, 565, 566, 567, 568, 569, 570, 571, 572, 573, 574, 575, 576, 577, 578, 579, 580, 581, 582, 583, 584, 585, 586, 587, 588, 589, 590, 591, 592, 593, 594, 595, 596, 597, 598, 599, 600, 601, 602, 603, 604, 605, 606, 607, 608, 609, 610, 611, 612, 613, 614, 615, 616, 617, 618, 619, 620, 621, 622, 623, 624, 625, 626, 627, 628, 629, 630, 631, 632, 633, 634, 635, 636, 637, 638, 639, 640, 641, 642, 643, 644, 645, 646, 647, 648, 649, 650, 651, 652, 653, 654, 655, 656, 657, 658, 659, 660, 661, 662, 663, 664, 665, 666, 667, 668, 669, 670, 671, 672, 673, 674, 675, 676, 677, 678, 679, 680, 681, 682, 683, 684, 685, 686, 687, 688, 689, 690, 691, 692, 693, 694, 695, 696, 697, 698, 699, 700, 701, 702, 703, 704, 705, 706, 707, 708, 709, 710, 711, 712, 713, 714, 715, 716, 717, 718, 719, 720, 721, 722, 723, 724, 725, 726, 727, 728, 729, 730, 731, 732, 733, 734, 735, 736, 737, 738, 739, 740, 741, 742, 743, 744, 745, 746, 747, 748, 749, 750, 751, 752, 753, 754, 755, 756, 757, 758, 759, 760, 761, 762, 763, 764, 765, 766, 767, 768, 769, 770, 771, 772, 773, 774, 775, 776, 777, 778, 779, 780, 781, 782, 783, 784, 785, 786, 787, 788, 789, 790, 791, 792, 793, 794, 795, 796, 797, 798, 799, 800, 801, 802, 803, 804, 805, 806, 807, 808, 809, 810, 811, 812, 813, 814, 815, 816, 817, 818, 819, 820, 821, 822, 823, 824, 825, 826, 827, 828, 829, 830, 831, 832, 833, 834, 835, 836, 837, 838, 839, 840, 841, 842, 843, 844, 845, 846, 847, 848, 849, 850, 851, 852, 853, 854, 855, 856, 857, 858, 859, 860, 861, 862, 863, 864, 865, 866, 867, 868, 869, 870, 871, 872, 873, 874, 875, 876, 877, 878, 879, 880, 881, 882, 883, 884, 885, 886, 887, 888, 889, 890, 891, 892, 893, 894, 895, 896, 897, 898, 899, 900, 901, 902, 903, 904, 905, 906, 907, 908, 909, 910, 911, 912, 913, 914, 915, 916, 917, 918, 919, 920, 921, 922, 923, 924, 925, 926, 927, 928, 929, 930, 931, 932, 933, 934, 935, 936, 937, 938, 939, 940, 941, 942, 943, 944, 945, 946, 947, 948, 949, 950, 951, 952, 953, 954, 955, 956, 957, 958, 959, 960, 961, 962, 963, 964, 965, 966, 967, 968, 969, 970, 971, 972, 973, 974, 975, 976, 977, 978, 979, 980, 981, 982, 983, 984, 985, 986, 987, 988, 989, 990, 991, 992, 993, 994, 995, 996, 997, 998, 999, 1000

Dear Sir/ Madam,

RE: AUTHORISATION FOR THE SALE OF COVID-19 Antigen POINT-OF-CARE TEST KIT – SARS-CoV-2 Ae test Rapid

South Africa